



Producer: **Copeland**

Line: **ZF**

Model: **ZF15K4E-TFD**

Cooling capacity [kW]: **8.00**

Displacement [m³/h]: **14.4**

Refrigerant: **R22, R404A, R407A, R407F, R448A, R449A**

Capacity control: **None**

Power supply: **400V/3Ph/50Hz**

Data

Technical data

Displacement	[m ³ /h]	14.4
Oil charge	[l]	1.90
Oil type		POE RL32-3MAF
Internal free volume	[dm ³]	5.9
Net weight	[kg]	39
Gross weight	[kg]	42.00

Electrical data and limits

Power supply		400V/3Ph/50Hz
Maximum continuous current	[A]	10.0
Locked rotor amperage	[A]	64.0
Motor resistance main	[Ω]	2.75
Maximum suction pressure	[bar]	21.0
Maximum discharge pressure	[bar]	28.8
Maximum suction temperature	[°C]	50.0

Dimensions

Suction connection thread diameter	[inch]	1 1/4
Discharge connection thread diameter	[inch]	1
Length	[mm]	246
Height	[mm]	442
Width	[mm]	251

Other

Approved refrigerants	R22, R404A, R407A, R407F, R448A, R449A
Allowed oil types	POE RL32-3MAF, POE MOBIL EAL Arctic 22 CC
Capacity control	None
Protection rating	IP21 (IEC34)

Performance

Nominal conditions: refrigerant: R404A , evaporation (dew point): -10 °C, condensation (dew point): 45 °C, superheating: 10 K, subcooling: 0 °C

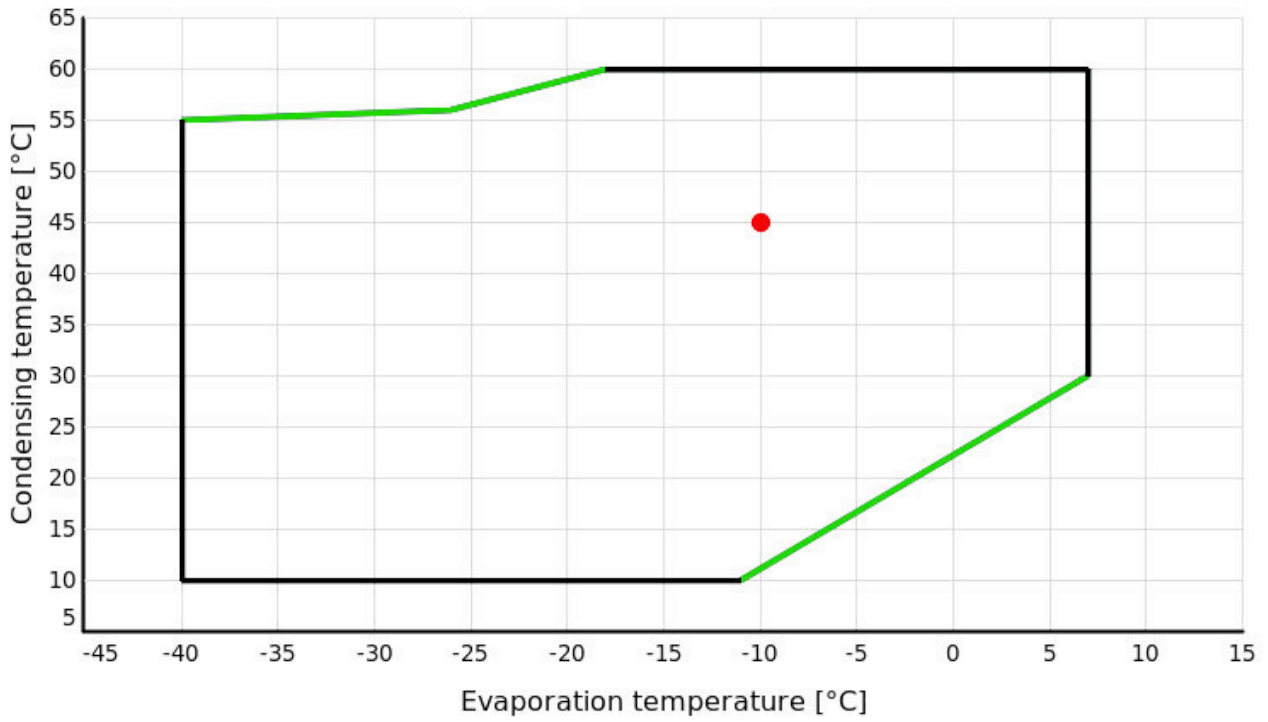
Cooling capacity [kW]

		Evaporation temperature [°C]										
		-40	-35	-30	-25	-20	-15	-10	-5	0	5	7
Condensation temperature [°C]	10	3.53	4.49	5.67	7.10	8.80	10.81					
	15	3.33	4.24	5.37	6.73	8.35	10.25	12.47				
	20	3.12	3.99	5.06	6.35	7.88	9.68	11.78	14.20			
	25	2.91	3.74	4.74	5.95	7.39	9.08	11.07	13.36	15.98		
	30	2.70	3.47	4.41	5.54	6.88	8.47	10.33	12.49	14.96	17.78	19.01
	35	2.47	3.20	4.07	5.12	6.36	7.84	9.57	11.59	13.92	16.58	17.75
	40	2.25	2.92	3.72	4.68	5.83	7.19	8.80	10.67	12.85	15.35	16.45
	45	2.02	2.63	3.36	4.23	5.28	6.52	8.00	9.73	11.75	14.09	15.13
	50	1.79	2.34	2.99	3.77	4.71	5.84	7.18	8.76	10.63	12.81	13.77
	55	1.56	2.04	2.61	3.30	4.13	5.13	6.33	7.77	9.48	11.49	12.38
	60						4.41	5.47	6.75	8.30	10.14	10.97

Power consumption [kW]

		Evaporation temperature [°C]										
		-40	-35	-30	-25	-20	-15	-10	-5	0	5	7
Condensation temperature [°C]	10	1.67	1.77	1.89	2.04	2.22	2.44					
	15	1.83	1.93	2.05	2.18	2.35	2.56	2.81				
	20	2.00	2.11	2.22	2.35	2.51	2.71	2.94	3.23			
	25	2.18	2.30	2.42	2.55	2.70	2.88	3.11	3.37	3.70		
	30	2.39	2.51	2.64	2.77	2.92	3.10	3.31	3.56	3.86	4.22	4.38
	35	2.61	2.76	2.89	3.03	3.18	3.35	3.55	3.79	4.07	4.41	4.56
	40	2.87	3.03	3.18	3.32	3.48	3.65	3.84	4.07	4.33	4.65	4.79
	45	3.15	3.33	3.49	3.65	3.82	3.99	4.18	4.40	4.65	4.95	5.09
	50	3.46	3.67	3.85	4.03	4.20	4.38	4.57	4.79	5.03	5.32	5.45
	55	3.81	4.05	4.26	4.45	4.63	4.82	5.02	5.23	5.47	5.75	5.87
	60						5.32	5.52	5.74	5.98	6.25	6.37

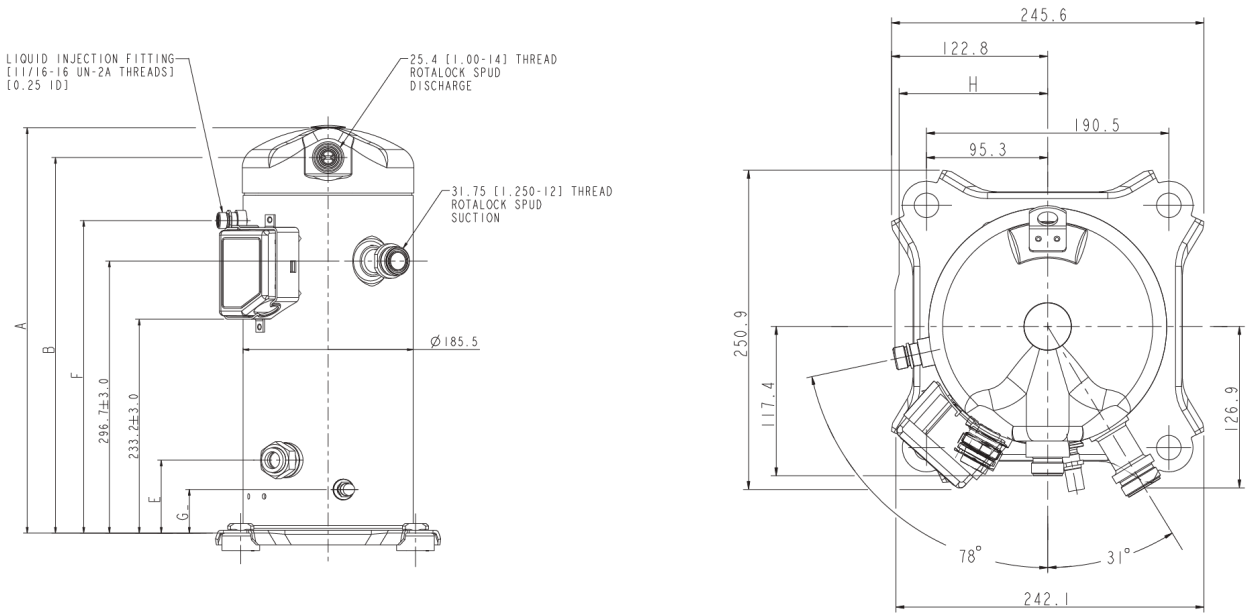
Application range



Legend

- Suction gas temperature: 25°C, liquid injection
- Suction gas temperature: 20°C, ASERCOM certified
- Current operating conditions

Dimensions



Dimensions

Dimension A	[mm]	442
Dimension B	[mm]	409,6
Dimension E	[mm]	79,5
Dimension F	[mm]	340,9
Dimension G	[mm]	47,5
Dimension H	[mm]	120,2